

Adjusting the lifting power and lowering speed of the 4-post lift

Artikel-Nr.: FP41
Hersteller: Krömer
EAN-Code: 0757284115837



! **Problem:** With weight, the stage lifts slowly.

? **Cause:** The lifting force must be changed.

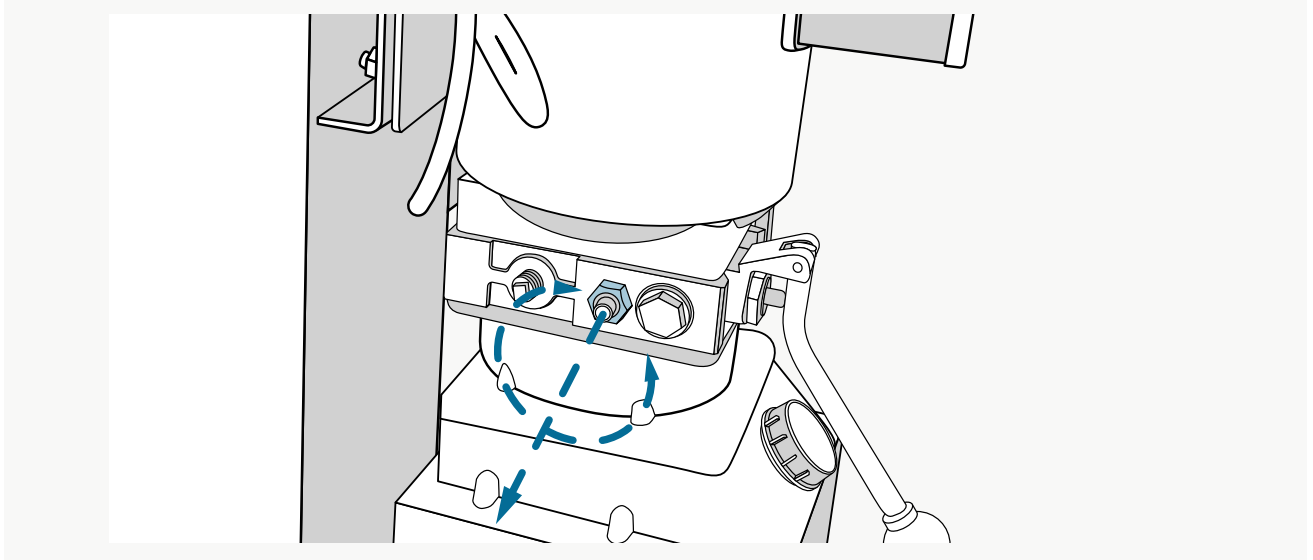
⚙️ **Solution:** Open the lift valve or drain valve on the motor.

Page 2

First, make sure the stage is not loaded.

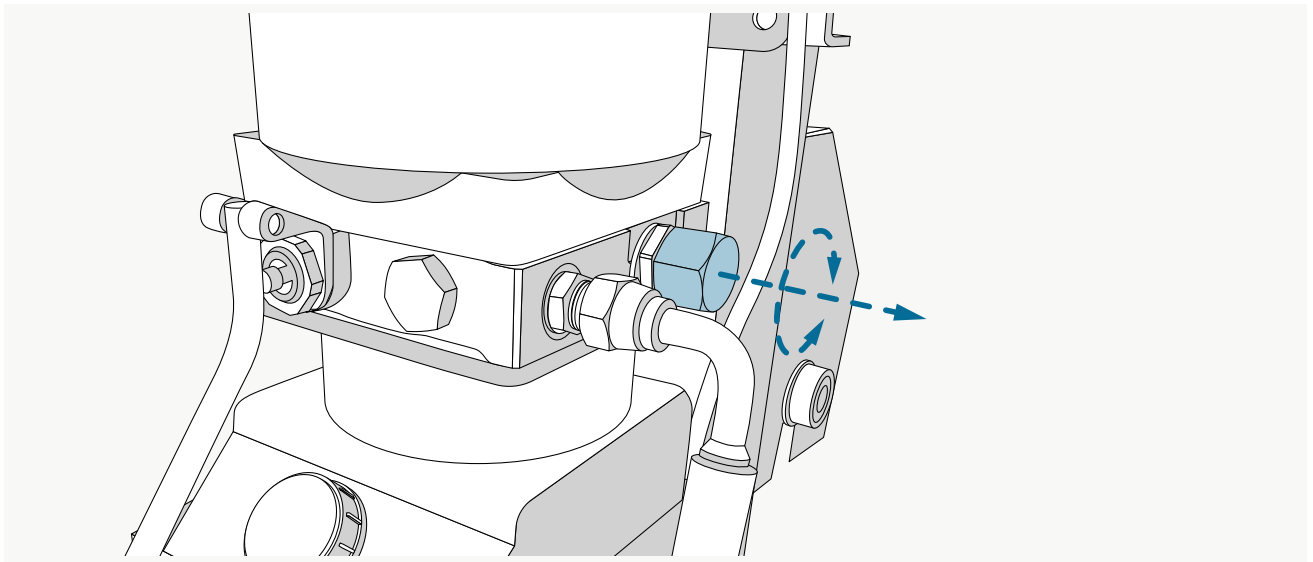
Artikel-Nr.: FP41
Hersteller: Krömer
EAN-Code: 0757284115837

1 Change the lifting power



To change the lift capacity, open or close the lift capacity valve on the motor. Tighten = more pressure = more lifting power. When opening, pressure is released from the system and the lift would lift with less lifting force.

2 Change the descent speed



To change the descension rate, the descent valve must be opened or closed. In order to lower the stage more quickly, the valve must be opened.



This is how to set the lifting force and lowering speed of the platform.