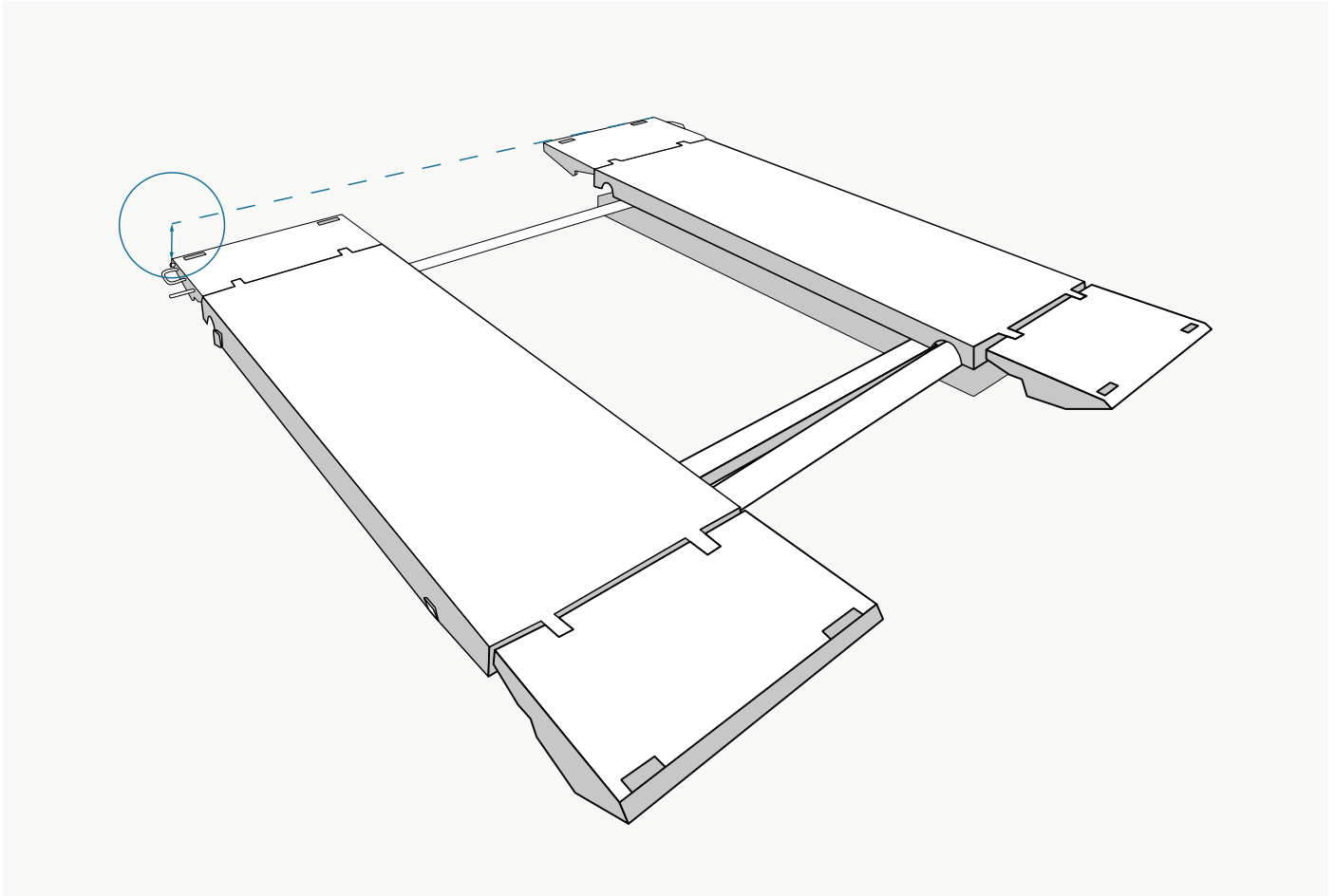


Platforms of the lift are of different heights.

Artikel-Nr.: X10, X30, X26, X21
Hersteller: Krömer
EAN-Code: 0738964858374
0721762577899
0757284118838
0738964856981



Problem:

The height of the platforms differs slightly. In this example here, the secondary platform is higher than the main platform.



Cause:

The platform was loaded unevenly or the safety catch function was not guaranteed.



Solution:

Option A

Seite 2

Option B

Seite 3



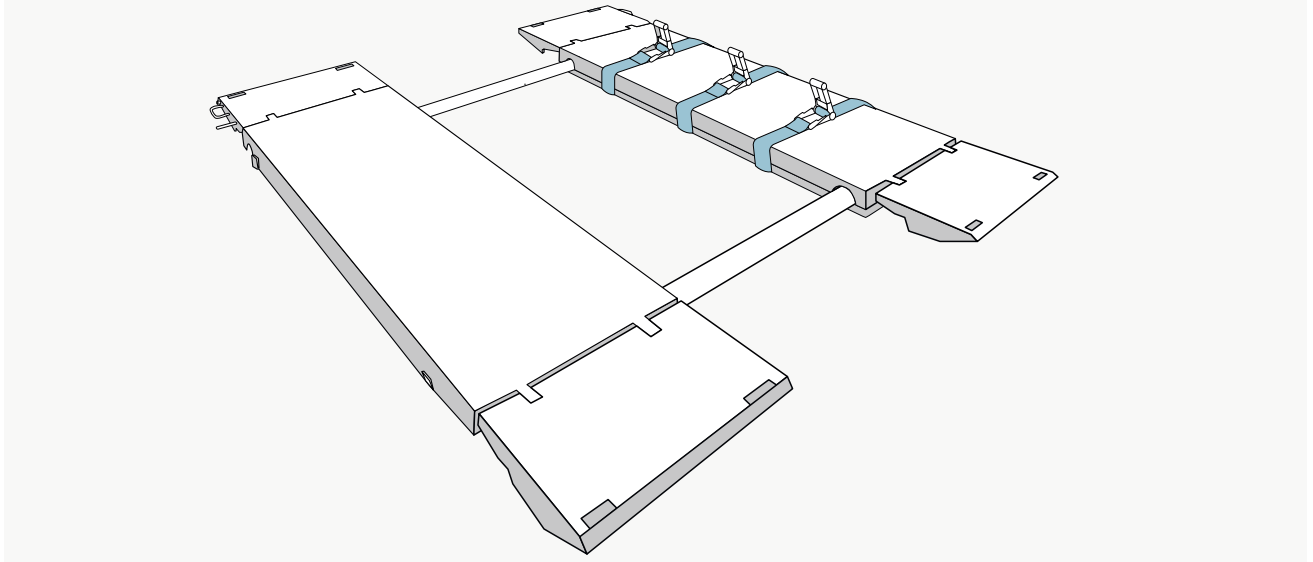
Observe the specified safety instructions!

Artikel-Nr.: X26, X21
Hersteller: Krömer
EAN-Code: 0757284118838
0738964856981

First drive both platforms to the position zero.

Option A - If the connecting rods are movable and solid (Example: models X26, X21)

1 Fix the side platform

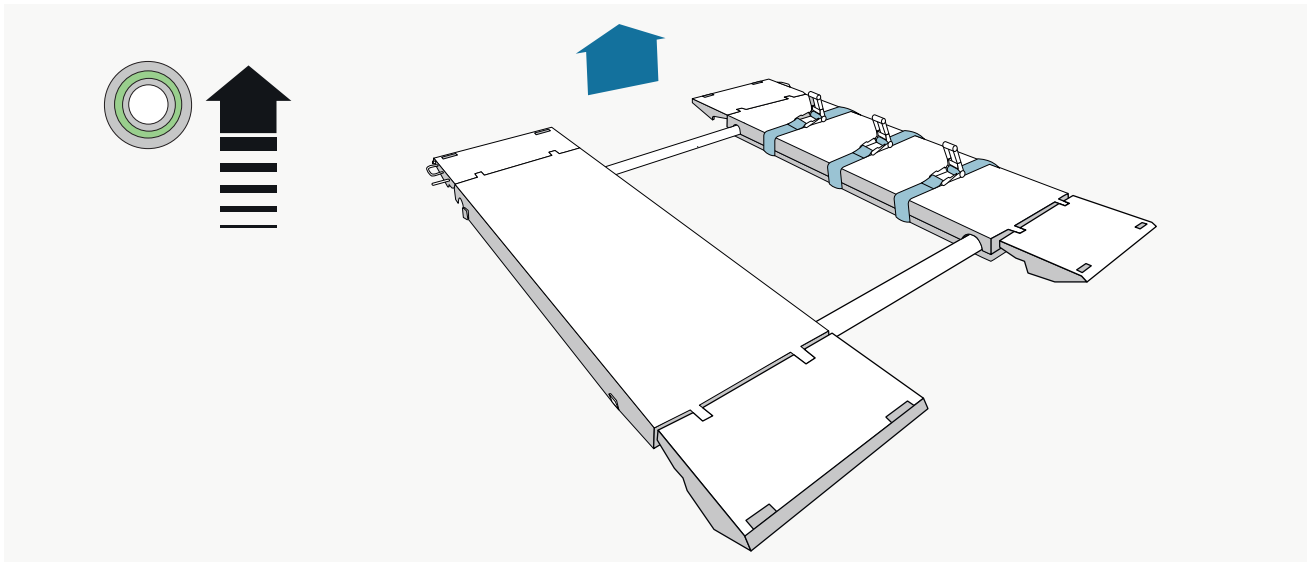


Fix the differently raised platform with three suitable tension belts.



Ensure the stability of the belts, there is a danger to life!

2 Level out unevenness



Raise the stage 15mm to compensate for the inequality. Repeat the process if necessary. In the second run, the straight platform must be moved up 20mm. If the platforms are still not straight after the second pass, the platform must be raised 25mm in the third pass.

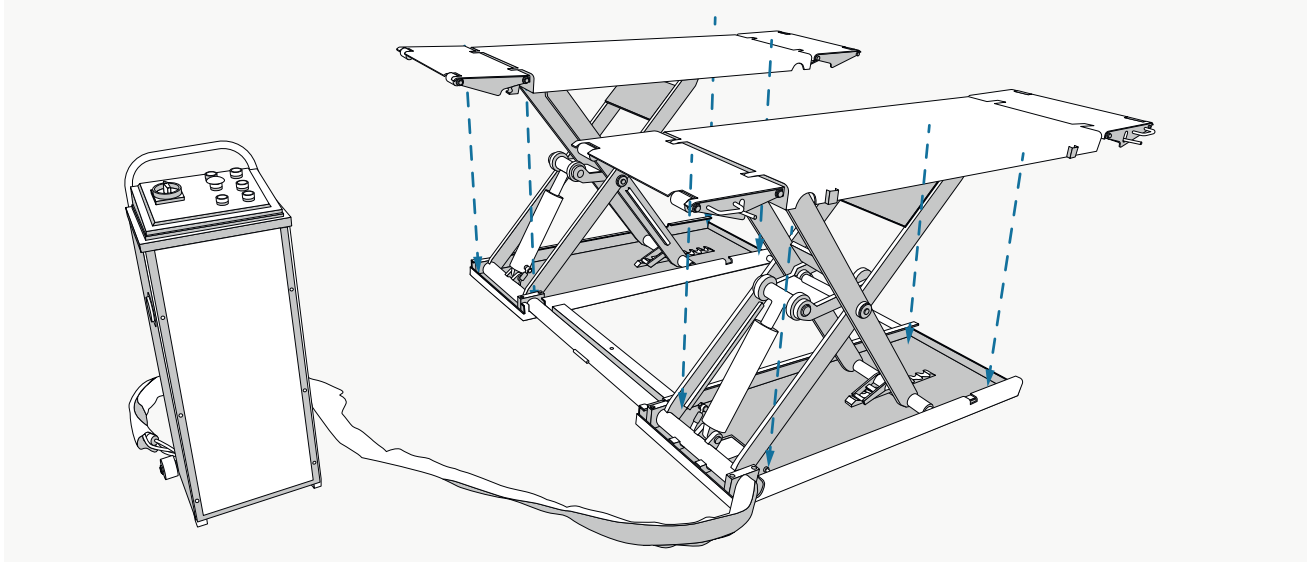
3 Perform emergency descent
Do not remove the belts until the platforms are in the position zero!
Instructions for this in the download area on the X26 model page



Artikel-Nr.: X10, X30
Hersteller: Krömer
EAN-Code: 0738964858374
0721762577899

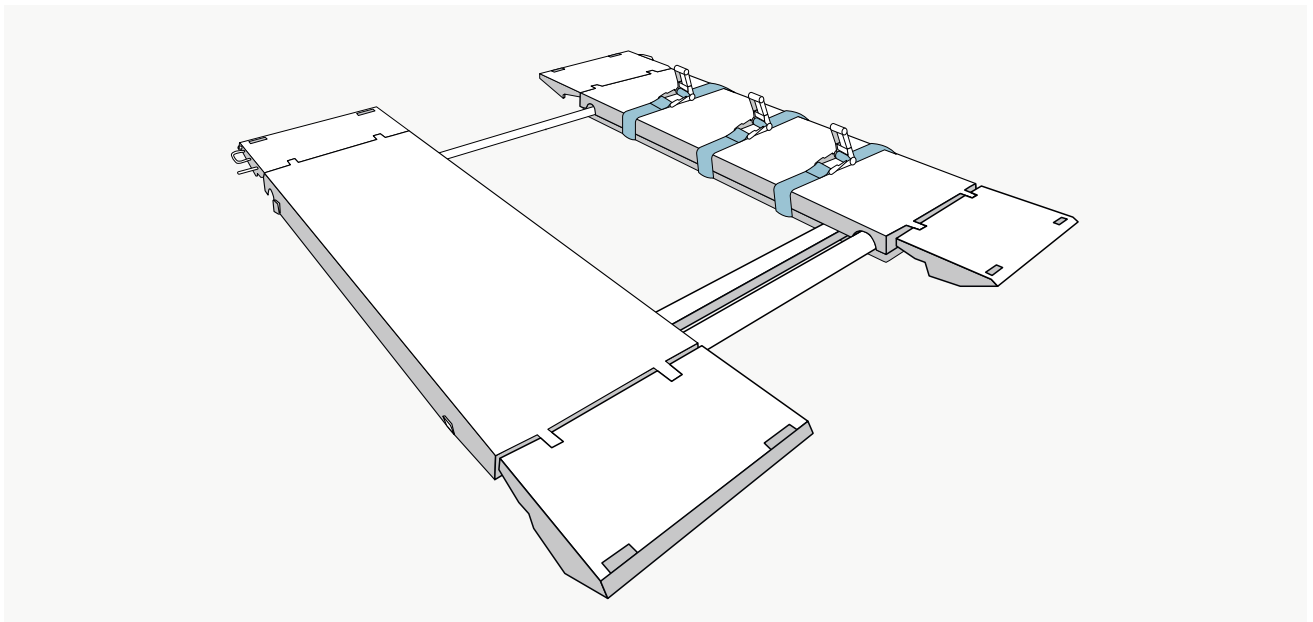
Option B - if connecting rod is rigid (e.g. with model X10, X30)

1 Fasten the chassis to the floor



Fix the chassis of both platforms with 4 anchors each in the ground. Then move the platform to the zero position.

2 Fix the platform



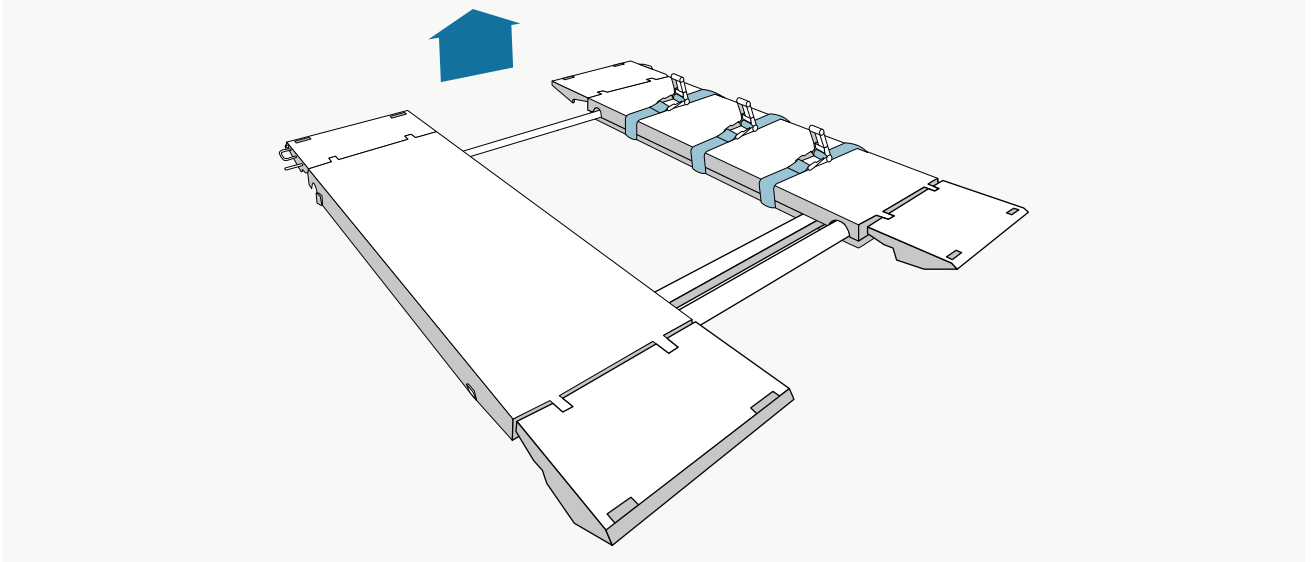
Fix the differently raised platform with three suitable tension belts.



Ensure the stability of the belts, there is a danger to life!

3

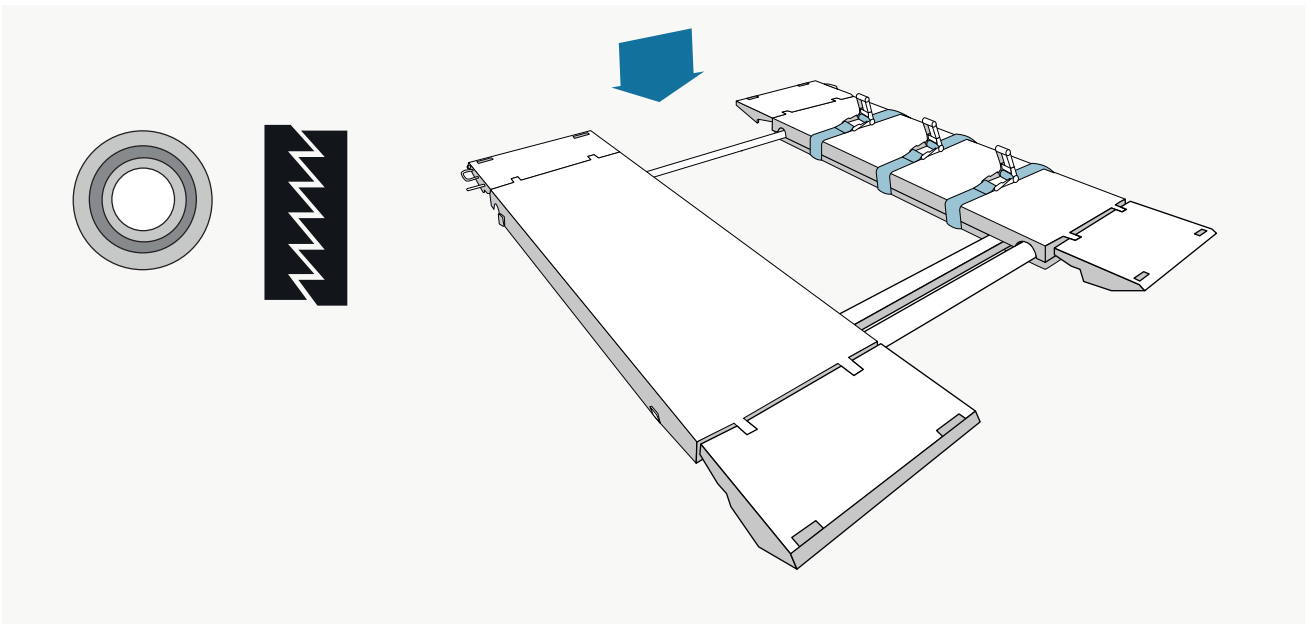
Level out the unevenness



Raise the platforms 15mm, if the platforms are still odd, raise the platform 20mm on the second pass. If necessary, it must be increased by 25mm in the third pass.

4

Press lock button



When both platforms are in the zero position, press the lock button for security. You can then remove the straps.



After the process is complete, the platforms are again at the same height.