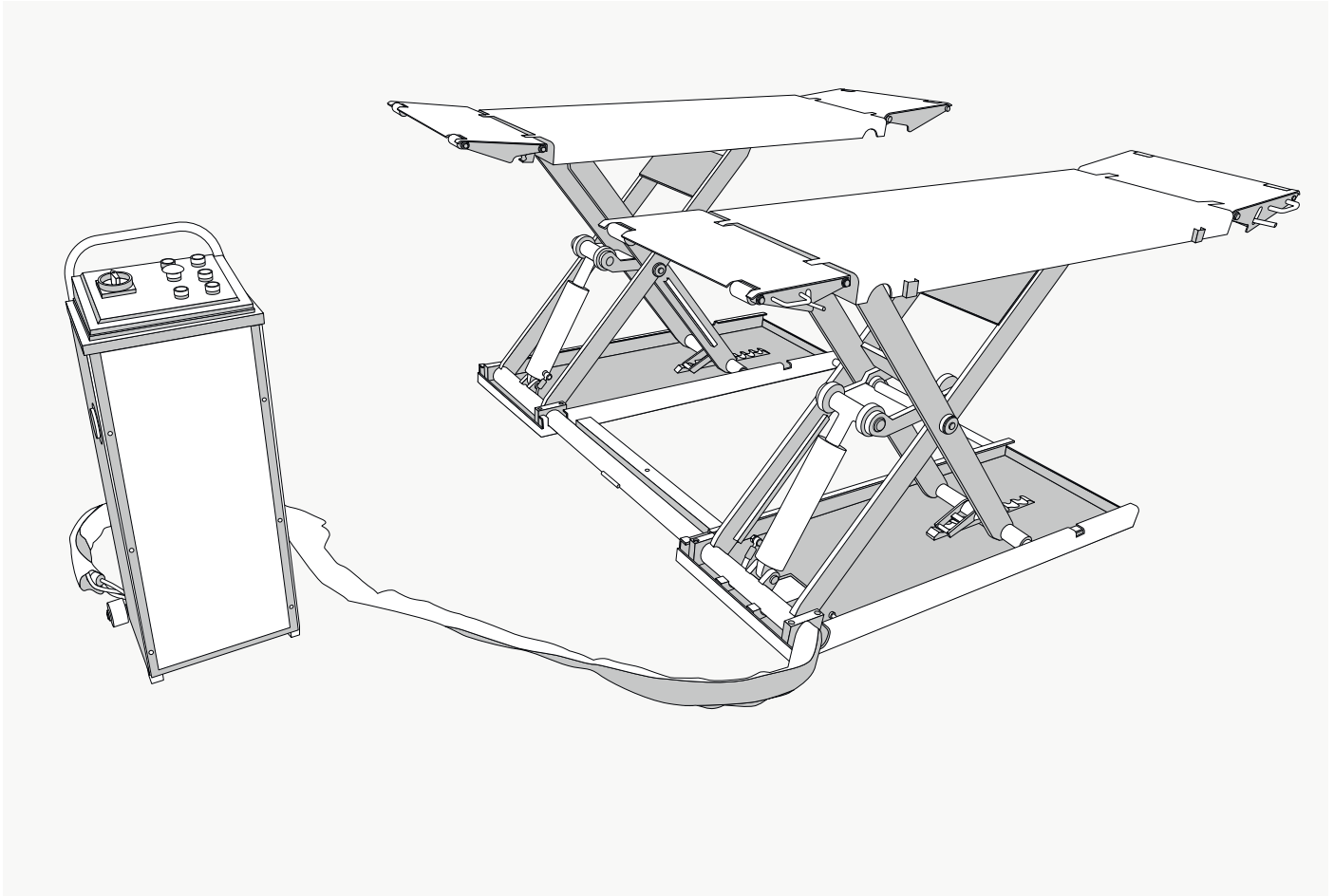


## The access ramps of the lifting platform no longer engage properly.

Artikel-Nr.: X10  
Hersteller: Krömer  
EAN-Code: 0738964858374



**Problem:**

The access ramps of the lift are not level with the platforms.



**Cause:**

The handle of the ramp pegs bent during use



**Lösung:**

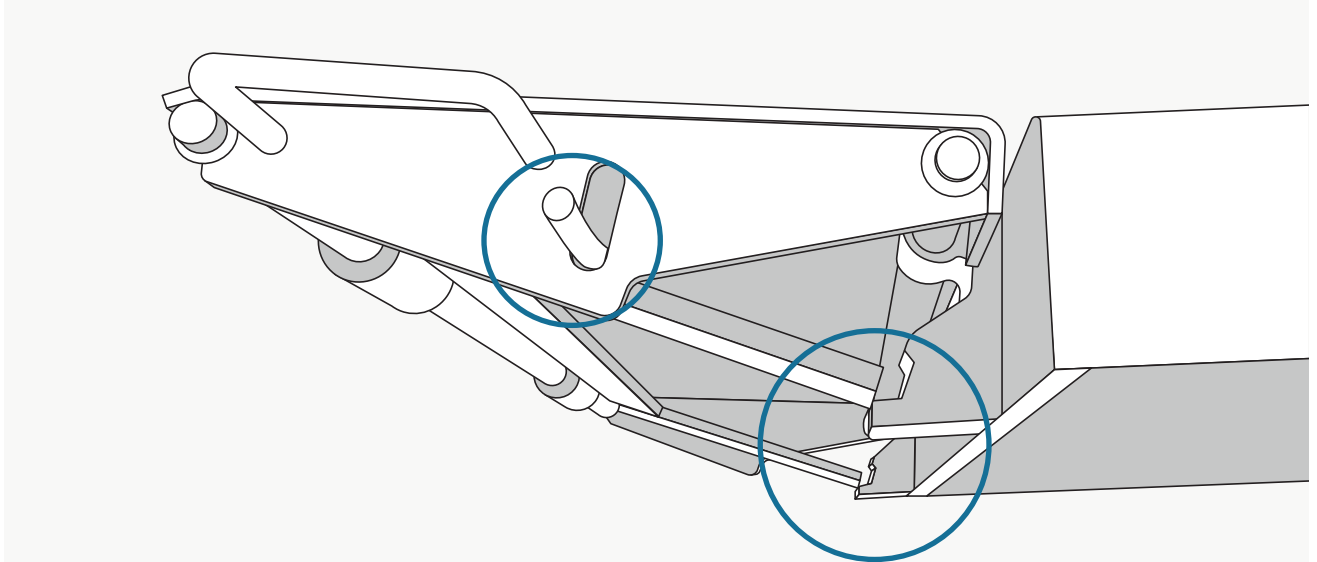
Straighten the handle again.

If the ramp is bent to such an extent that manual adjustment of the handle is out of the question, the bent part of the ramp can also be sent in and replaced.

Page 2

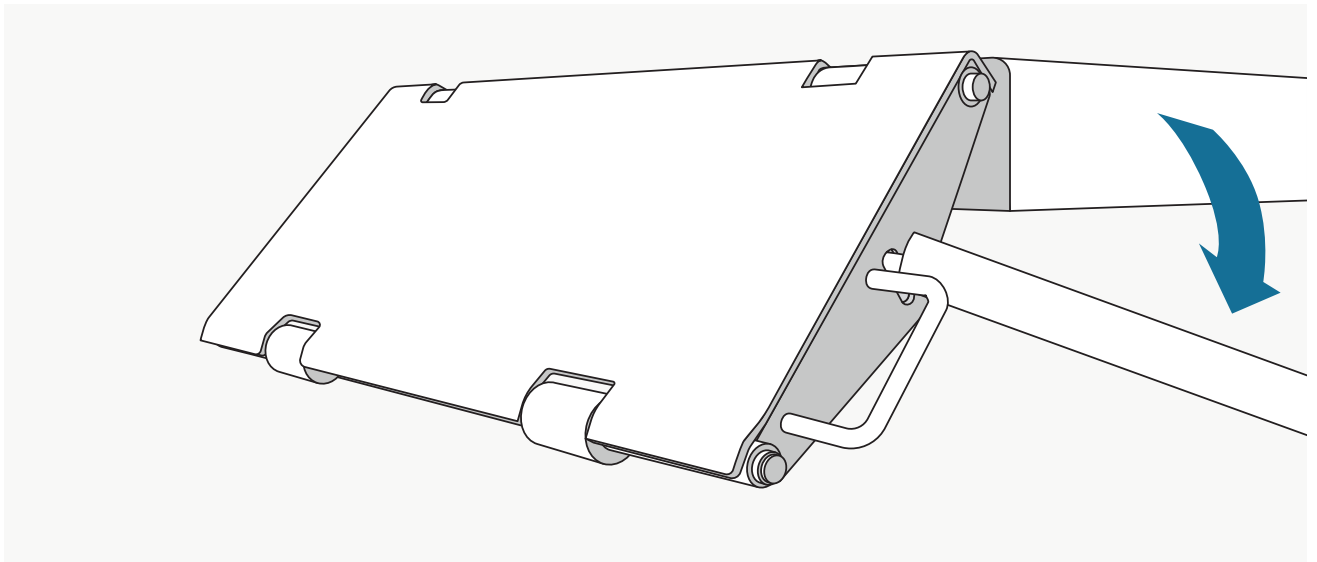
Option A - the handle is bent upwards.

**1** Starting position 1



The ramp no longer engages properly due to the bent latch handle.

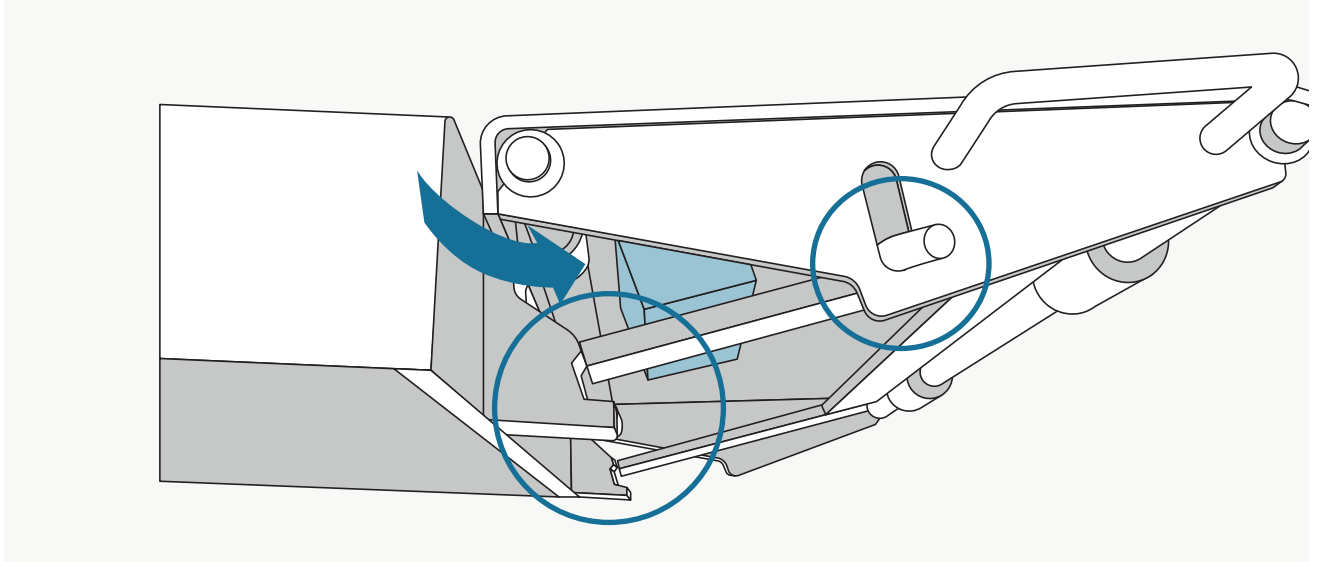
**2** Bend the handle to its original position.



Fold in the catch of the drive-on ramps and let the ramp hang.  
Bend the handle to its original position - In this case, use a steel pipe to bend it down.

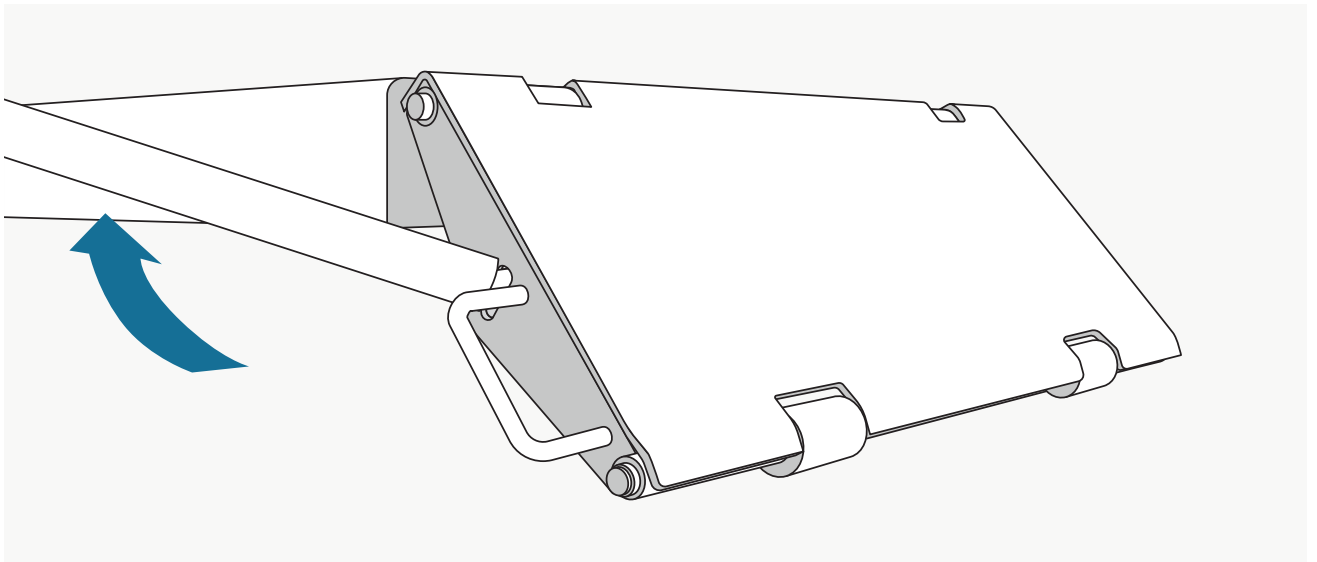
**Option B - the handle is bent down.**

**1** starting position 2



In the event that the handle is bent downwards, you must block the handles from below before folding the ramp down to avoid material damage. A block of wood or something similar works best.

**2** Bend the handle to the original position.



Fold in the catch of the drive-on ramps and let the ramp hang.  
Bend the handle to its original position - In this case, use a steel pipe to bend it up.



Once the process is complete, the ramps are again level with the platforms.