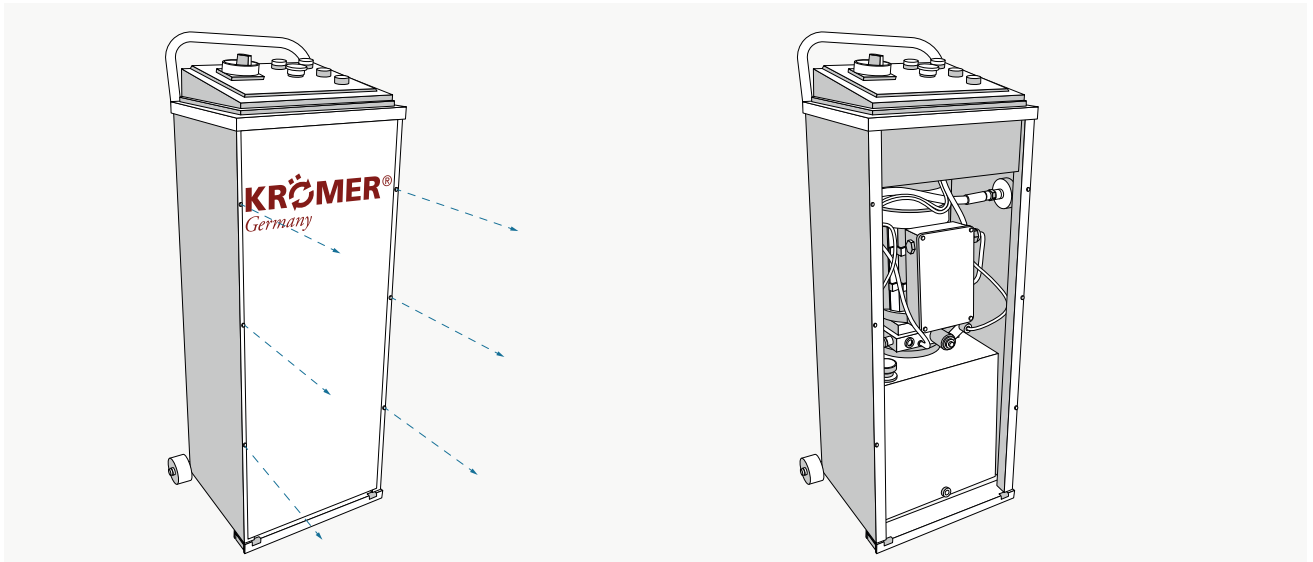


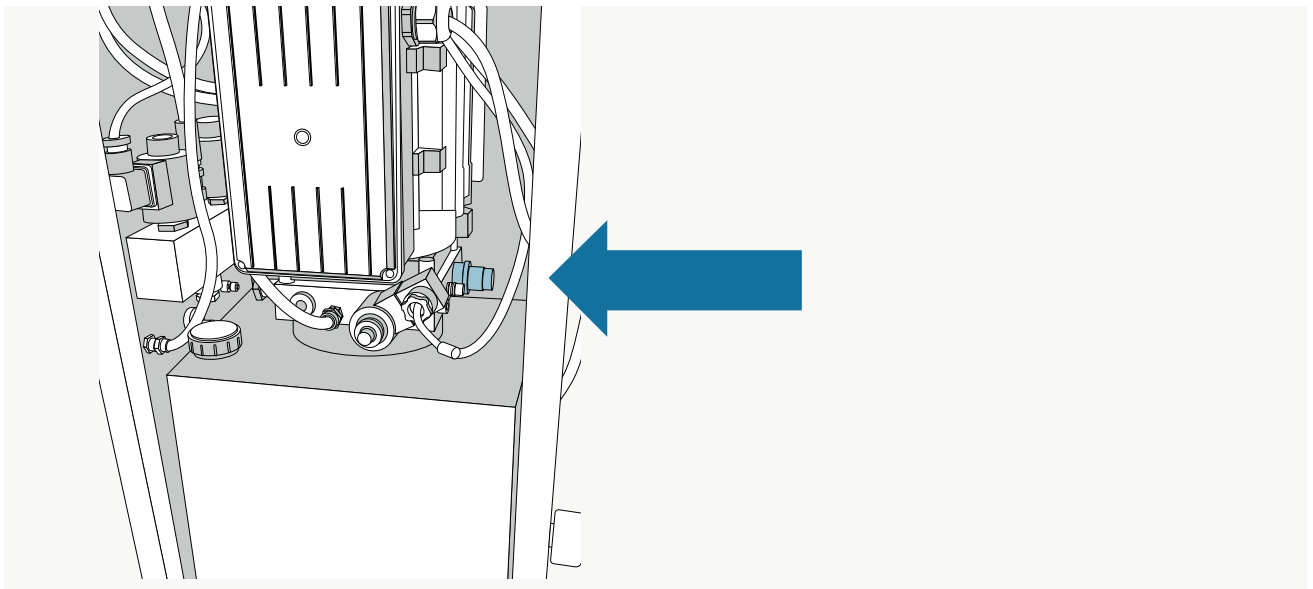
## Adjustment of the lift capacity and lowering speed of the XX50 series

### 1 Open control panel



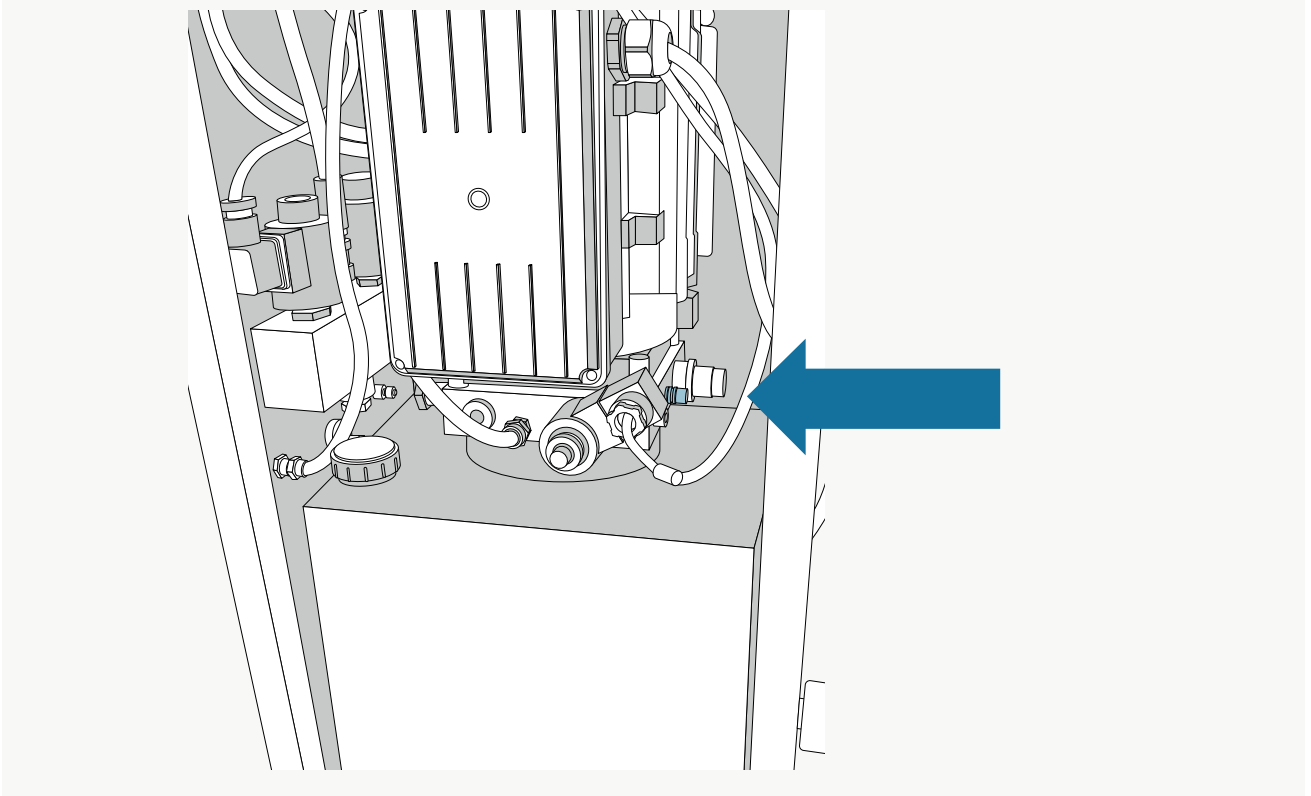
Open the control panel by loosening the screws.

### 2 Drain speed



Open or turn the large red valve to control the rate of descent. Open means the stage has a faster descent rate, closing the valve means the descent rate decreases

**3** Fasten the chassis on the floor



The smaller valve (throttle valve) on the right side inside the control panel is responsible for the lifting power. If you turn it off, you lift with more lifting power, if you turn it on, you lift with less lifting power.